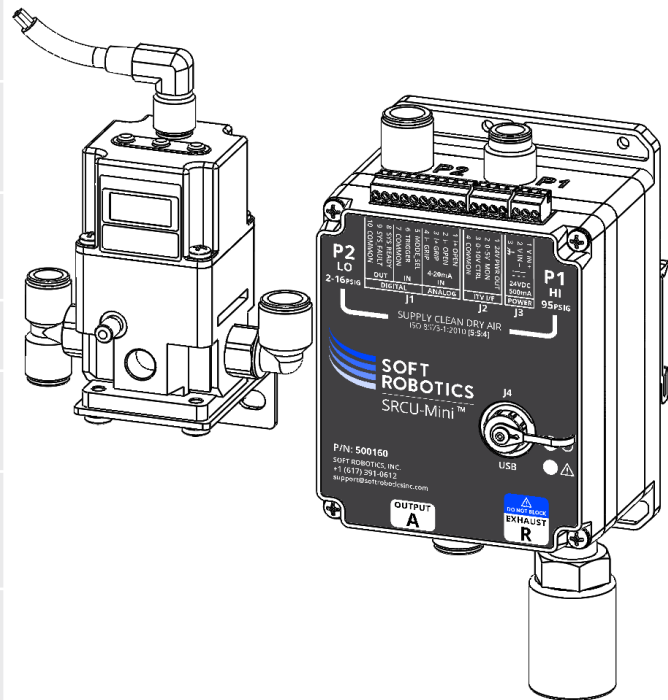


**SOFT ROBOTICS CONTROL UNIT MINI™
WITH ITV REGULATOR**

Power Requirement	24 VDC +/- 10% @ 0.5 A
Control Interface	24 VDC digital I/O 2 inputs – Trigger / Mode Select 2 outputs – Fault / System Ready
Configuration Interface	(2) 4-20mA Analog Inputs Grip Strength & Opening Amount
IP Class	IP40
Regulatory Compliance	CE - EMC Directive (2014/30/EU) & LV Directive (2014/35/EU) FCC Part 15
High Pressure Input Air Requirement	95 psig @ 2-8 cfm conditioned per ISO 8573-1 [5:5:4]
Low Pressure Input Air Requirement	2 – 14 psig conditioned per ISO 8573-1 [5:5:4]



Specification	Value	Notes
ITV Mass	0.3 kg	
ITV Dimensions (L x W x H)	14.8 cm x 10.5 cm x 9.3 cm	
SRCU-Mini Mass	1.4 kg	
SRCU-Mini Dimensions (L x W x H)	20.5 cm x 10.0 cm x 9.3 cm	Includes silencer & DIN rail clip
Mounting	Flange or 35mm DIN Rail Mount	Preferred orientation as shown with silencer facing downward
Output Air Pressure	-10 to +14 psig	
Operating Environment	5 – 40 C / 80% non-condensing humidity / <2000m above MSL	
High-Pressure Supply Connection	10 mm diameter tubing push-to-connect	PU hardness A95 Nylon hardness D55
Low-Pressure Supply Connection	12 mm diameter tubing push-to-connect	PU hardness A95 Nylon hardness D55
Output Air Connection	12 mm diameter tubing push-to-connect	PU hardness A95 Nylon hardness D55

SRCU-Mini™ (Page 1)

Patent Pending

SRCU-Mini – PN 500160

Packaged SRCU-Mini with ITV – PN 700161

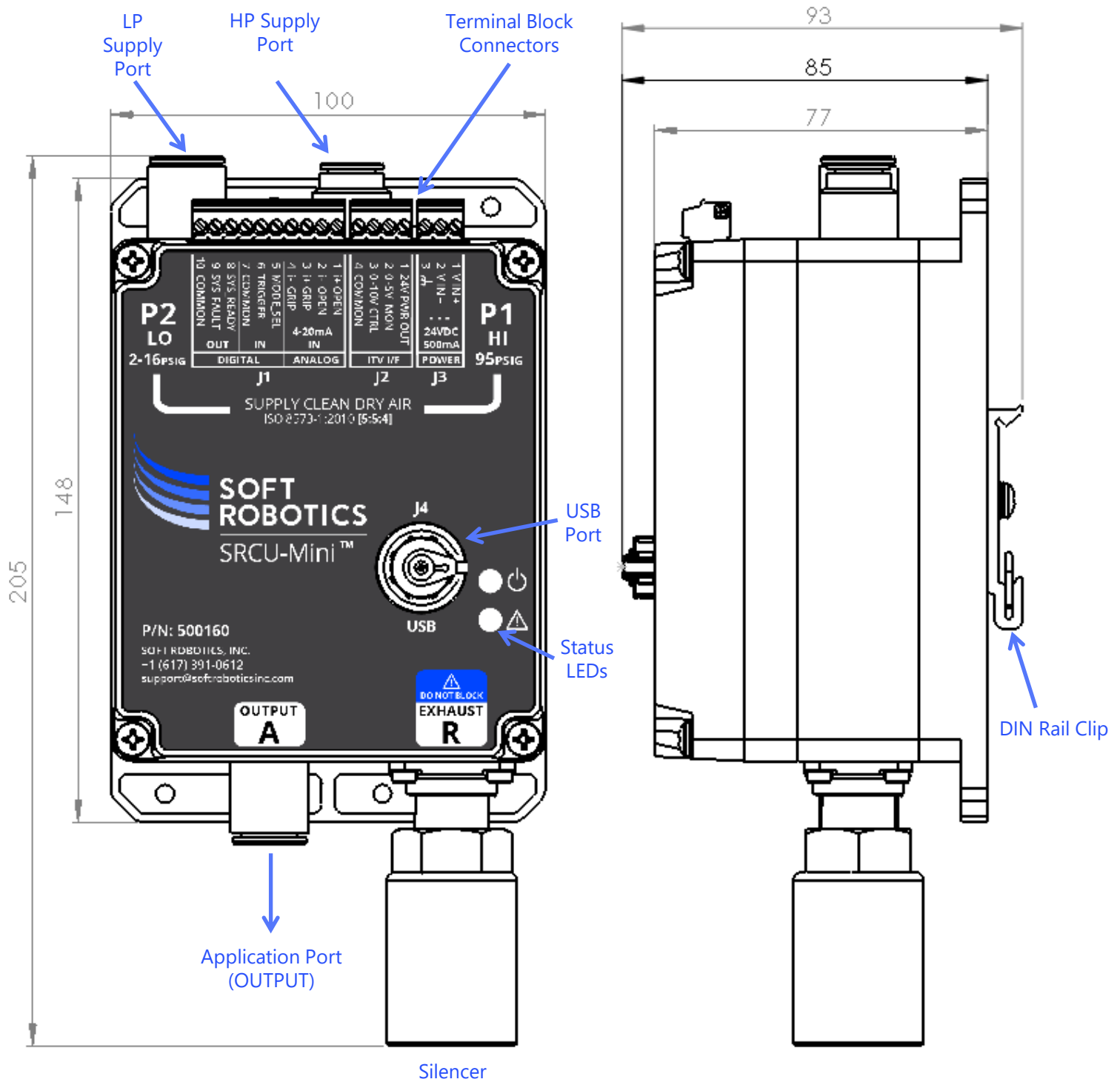
© Soft Robotics, Inc. All rights reserved.

P/N 200163 Rev D

CONTACT US
solutions@softroboticsinc.com

 (617) 391-0612 / www.softroboticsinc.com

SOFT ROBOTICS CONTROL UNIT MINI™
WITH ITV REGULATOR



SRCU-Mini™ (Page 2)

Patent Pending

SRCU-Mini - PN 500160

Packaged SRCU-Mini with ITV - PN 700161

© Soft Robotics, Inc. All rights reserved.

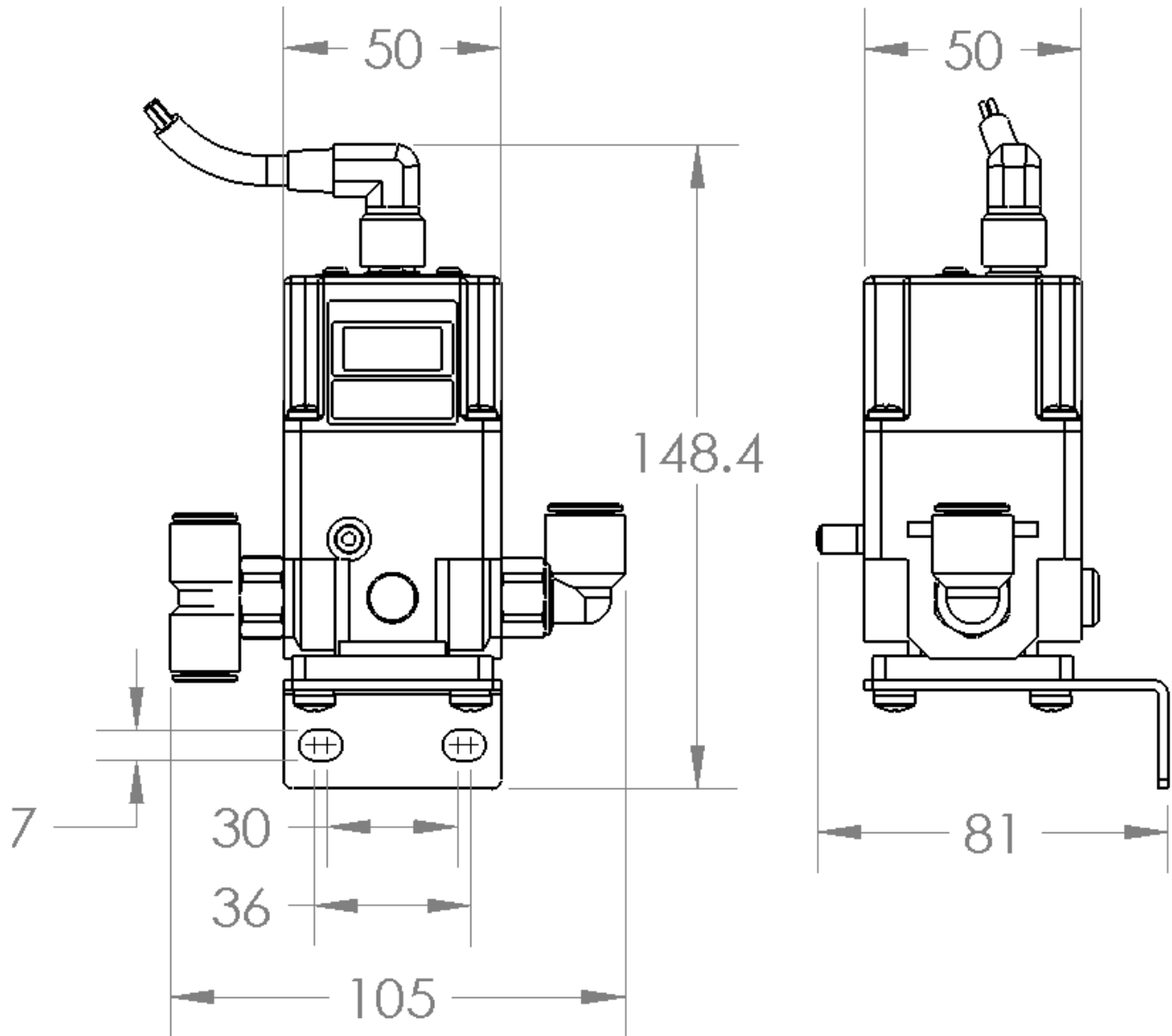
P/N 200163 Rev D

CONTACT US

solutions@softroboticsinc.com

(617) 391-0612 / www.softroboticsinc.com

SOFT ROBOTICS CONTROL UNIT MINI™
WITH ITV REGULATOR



SRCU-Mini™ (Page 3)

Patent Pending

SRCU-Mini - PN 500160

Packaged SRCU-Mini with ITV - PN 700161

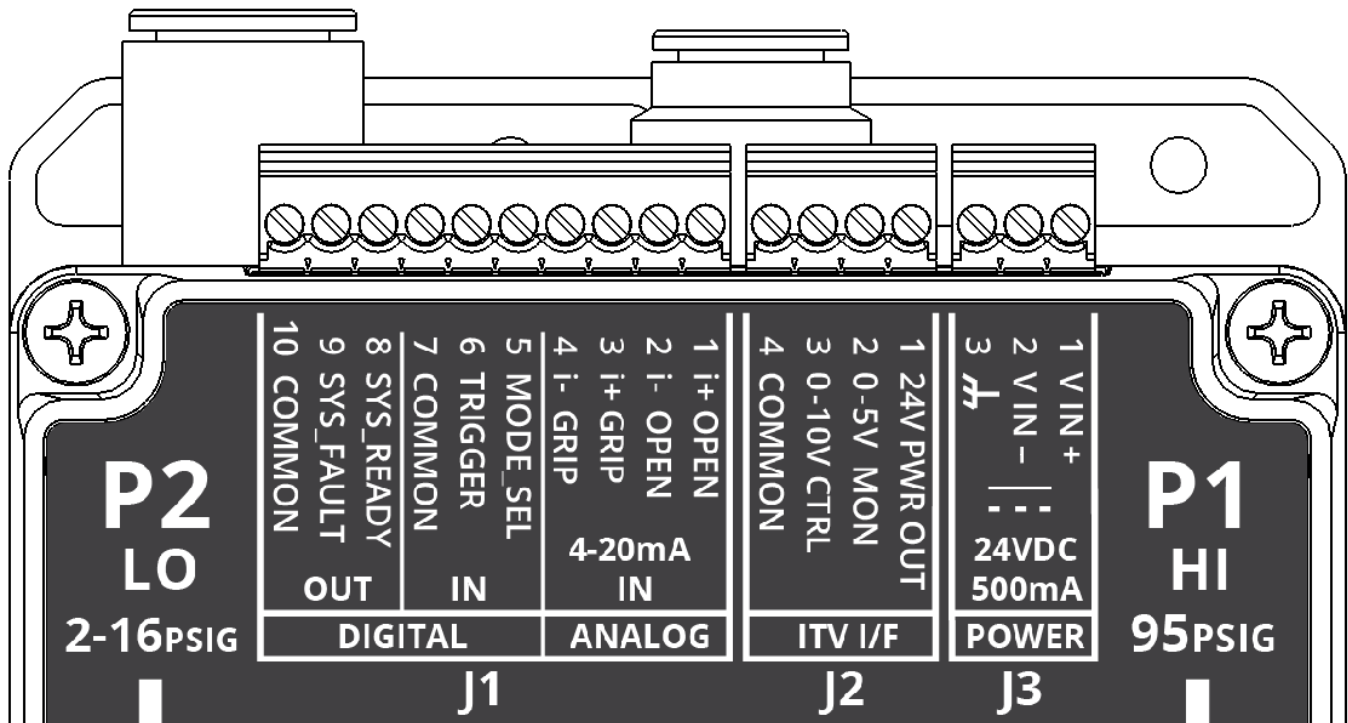
© Soft Robotics, Inc. All rights reserved.

P/N 200163 Rev D

CONTACT US

solutions@softroboticsinc.com

(617) 391-0612 / www.softroboticsinc.com

– ELECTRICAL CONNECTIONS –

J1 PINOUT – I/O CONNECTIONS

PIN1	OPENING AMOUNT I+ (4-20 mA)
PIN2	OPENING AMOUNT I- (4-20 mA)
PIN3	GRIP STRENGTH I+ (4-20 mA)
PIN4	GRIP STRENGTH I- (4-20 mA)
PIN5	MODE_SELECT INPUT
PIN6	TRIGGER INPUT
PIN7	INPUT_COMMON
PIN8	SYSTEM_READY OUTPUT
PIN9	SYSTEM_FAULT OUTPUT
PIN10	OUTPUT_COMMON

J2 PINOUT – ITV REGULATOR CONNECTIONS

PIN1	24VDC POWER TO ITV-2030
PIN2	0-5V DC MONITOR FROM ITV-2030
PIN3	0-10V DC CONTROL TO ITV-2030
PIN4	COMMON TO ITV-2030

J3 PINOUT – INPUT POWER CONNECTIONS

PIN1	(+) POSITIVE , 24 VDC SUPPLY
PIN2	(-) NEGATIVE , 24 VDC SUPPLY
PIN3	CHASSIS CONNECTION** <small>**MUST BE CONNECTED TO (-) NEGATIVE AT POWER SUPPLY</small>